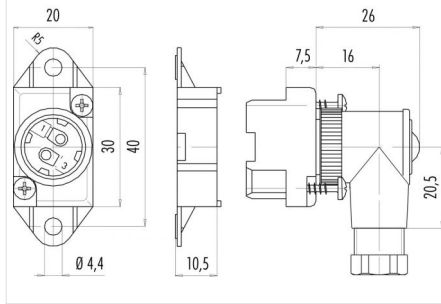


Product description	<b>M12-A ribbon cable terminal, Contacts: 2, 6.0 - 8.0 mm, not shielded, screw clamp, IP67</b>
Area	<b>M12-A series 775</b>
Order number	<b>99 6432 00 02</b>

**Illustration**



**Scale drawing**



**You can find the component part drawing on the next page.**

**Technical data**

**General values**

Connector design	ribbon cable terminal
Connector locking system	ribbon cable terminal
Termination	screw clamp
Wire gauge (mm)	AS-Interface 1.50 mm <sup>2</sup> / 0.75 mm <sup>2</sup>
Wire gauge (AWG)	AS-Interface 16 / 18
Cable outlet	6.0 - 8.0 mm
Upper limit temperature	70 °C
Lower limit temperature	- 25 °C
Customs tariff number	85369010
Packaging Unit	50

**Electrical values**

Rated current (40 °C)	2 A (per contact)
Rated voltage	30 V
Rated impulse voltage	500 V
Pollution degree	3
Insulation resistance	≥ 10 <sup>10</sup> Ω
EMC compliance	not shielded
Degree of protection	IP67

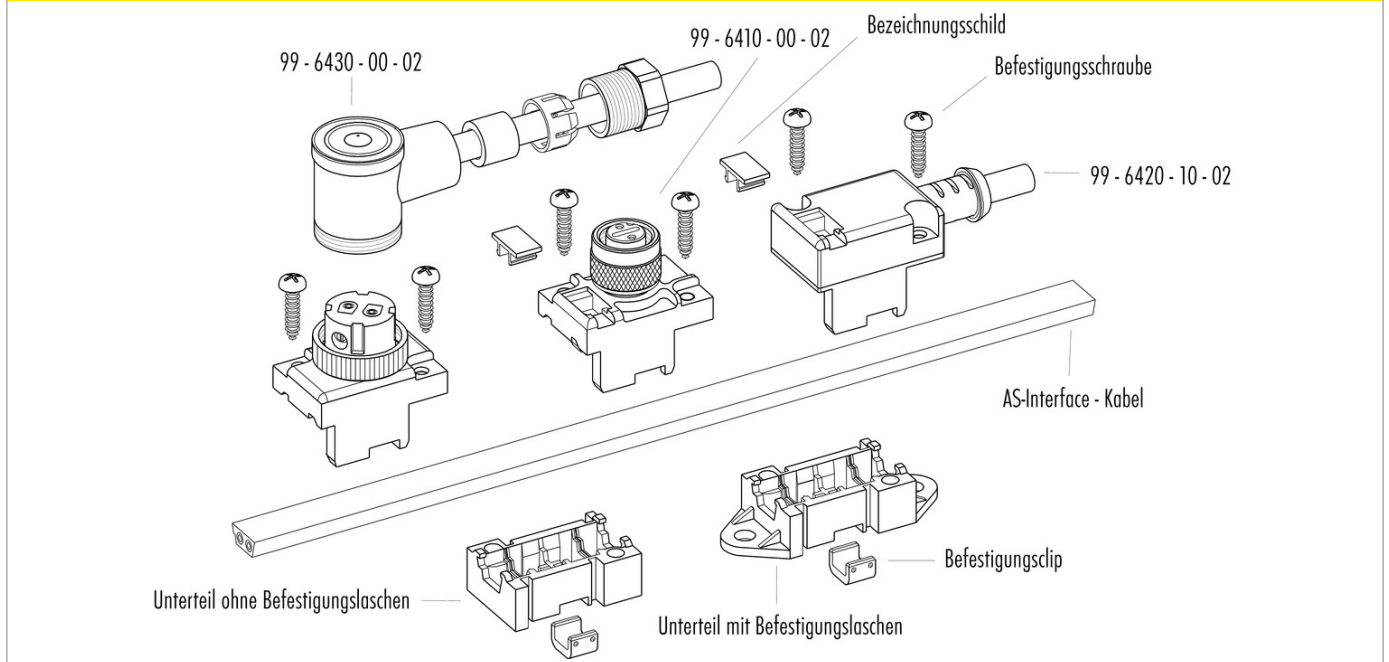
**Material**

Contact material	CuZn (brass)
Contact plating	Sn (tin)
Contact body material	PA
Housing material	PA
REACH SVHC	CAS 96-45-7 (Imidazolidine-2-thione) CAS 7439-92-1 (Lead)

Product description **M12-A ribbon cable terminal, Contacts: 2, 6.0 - 8.0 mm, not shielded, screw clamp, IP67**

Area **M12-A series 775**  
 Order number **99 6432 00 02**

Component part drawing



Product description	<b>M12-A ribbon cable terminal, Contacts: 2, 6.0 - 8.0 mm, not shielded, screw clamp, IP67</b>
Area	<b>M12-A series 775</b>
Order number	<b>99 6432 00 02</b>

## Security notices

The connectors are designed for use in plant, control system and electrical equipment. The end user is responsible for checking whether the connectors are suitable for use in other applications. Connectors with degree of protection IP 67 and IP 68 are not suitable for use under water. When used outdoors, the connectors must be separately protected against corrosion. For further information about IP degrees of protection refer to 'Technical support' in the Download Centre.